

# D Series

## Compressed Air Dryers



- UP TO 300 SCFM
- POINT OF USE DRYERS
- SUPPLEMENT TO A CENTRAL SYSTEM
- ZERO AIR LOSS

LIFE EXPECTANCY  
**25**  
YEARS

SUPER-DRY  
**10**  
YEAR WARRANTY

### Applications

- | Sand Blasting | Paint Spraying | Dust Collectors | Foam Spray |
- | Air Welders | Plasma Cutting | Air Tools | Packing Equipment |

# D Series

## How It Works



Super-Dry Compressed Air Dryers contains two highly efficient polypropylene coalescer elements at inlet & outlet ports to absorb oil and all solid air particles. Also included, one desiccant bag specifically designed to absorb water vapors and humidity from your compressed air system.

### Housings for Flows up to 300 SCFM

- » Heavy duty aluminum casting for high durability and corrosion resistance
- » Powder coated exterior for added durability
- » Special V-band stainless steel clamps permit easy removal of covers for cartridge replacement
- » Optimized air flow through housing minimizes pressure drop
- » Wall mounting brackets included
- » 3 stages in one unit: separation, filtration and drying

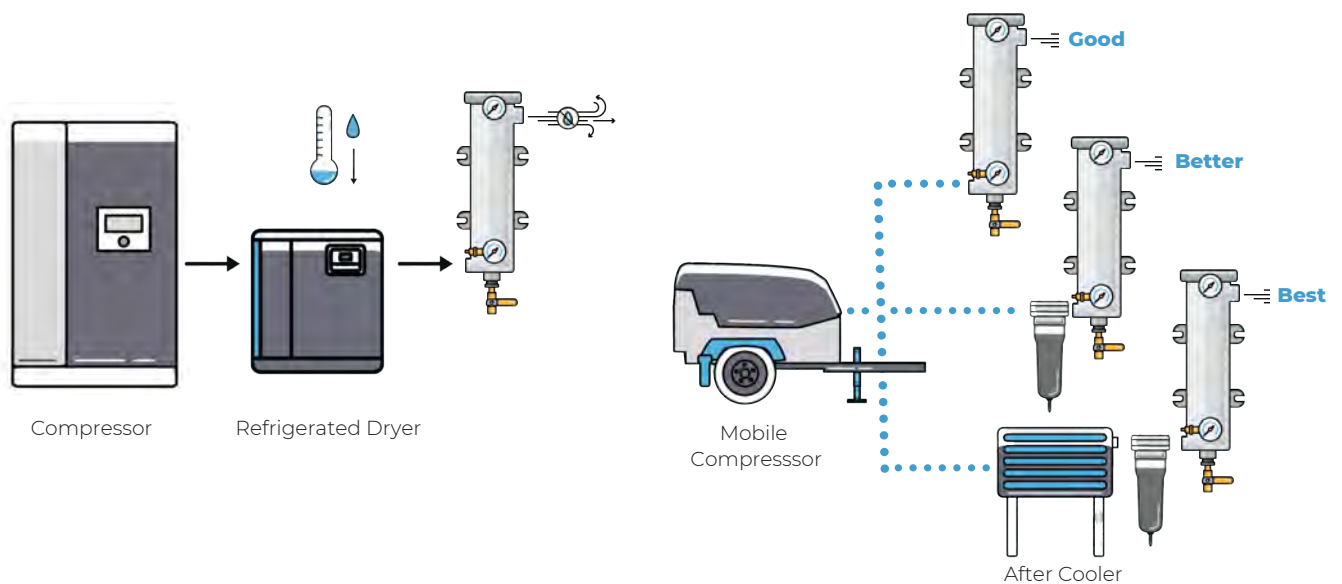
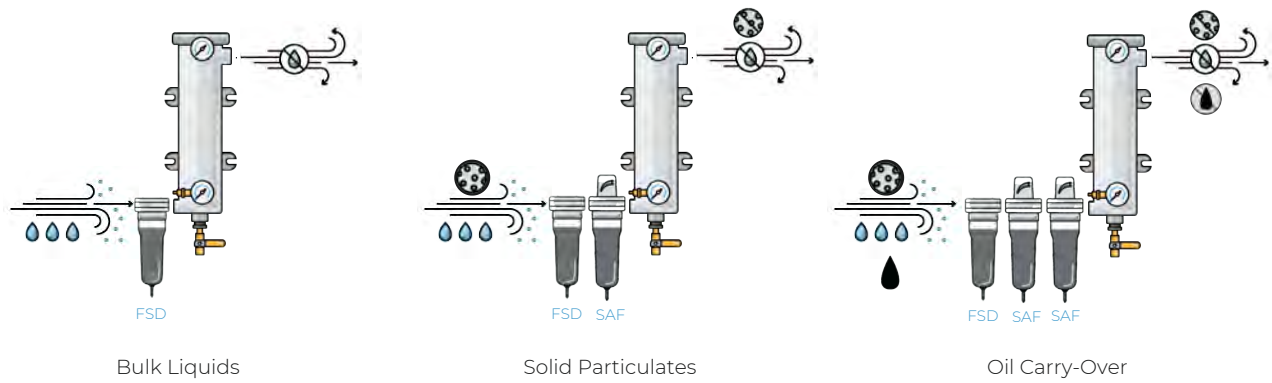
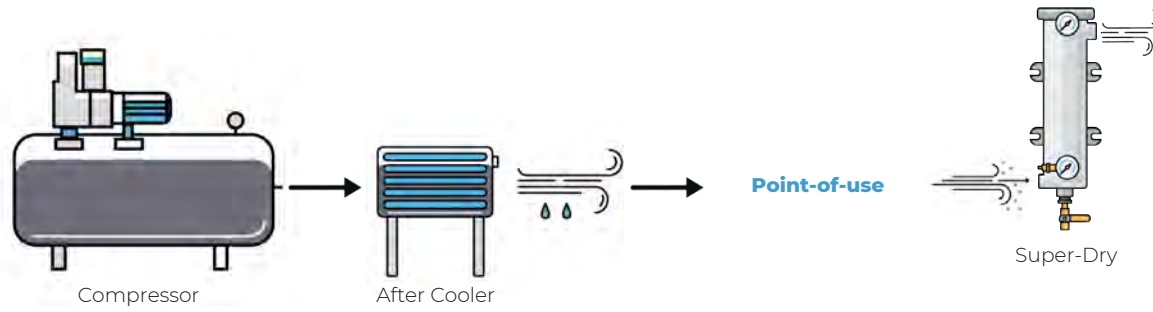
### Enhanced Performance

- » Easy replaceable self-contained desiccant cartridges
- » High efficiency polypropylene coalescent elements
- » Optimum filter efficiency even at low air flows
- » 10 year warranty
- » Life expectancy: 25 years
- » Pressure dew point: - 40° F\*
- » Max. working pressure: 150 PSIG

\*The Super-Dry D Series is a non-regenerative point-of-use air dryer. It will not provide a stable dew point for continuous operations. It is not a replacement for a twin tower air dryer.

# D Series

## Typical Configurations





### 1 Temperature and Moisture Indicator

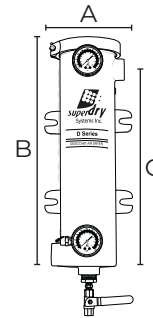
- » Indicates optimum cartridge replacement based on % relative humidity

### 2 Automatic Timer Drain

- » Efficient drainage of condensate
- » Extends the cartridge life of the dryer

### 3 Water Separator

- » Pre-Filtration of D series Air Dryer



## Specifications and ordering information:

Housing	Air flow 100 psig scfm	Inlet/ Outlet NPT in	Dimensions (in)			Replacement kit	Weight (lbs)
			A	B	C		
D-1	70	1	6	19	17 ½	ED-1	20
D-2	150	1 ½	9	20	18	ED-2	40
D-3	200	2	9	33	30	ED-3	75
D-4	300	3	11	33	29 ½	ED-4	100

Maximum inlet temperature: 100°F (38°F) Maximum inlet pressure: 150 psig