

THIS DOCUMENT IS THE PROPERTY OF DESIGN PRODUCT REPRODUCTION OR USE WITHOUT PRIOR PERMISSION IS PROHIBITED

PDF.No. DATED :

9 8 7 6 5 4 3 2 1

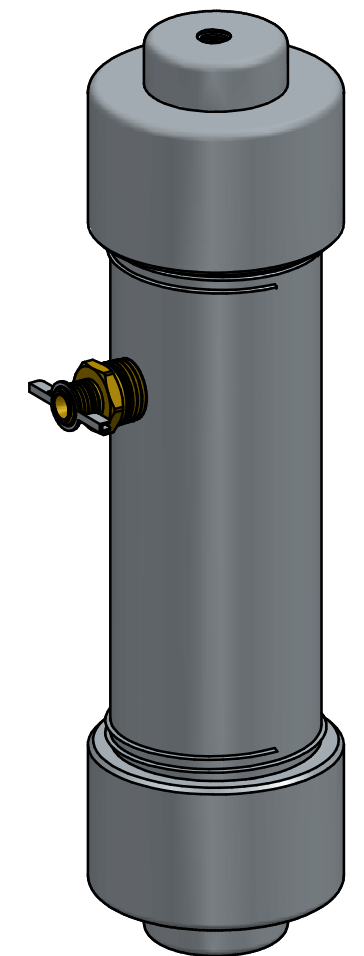
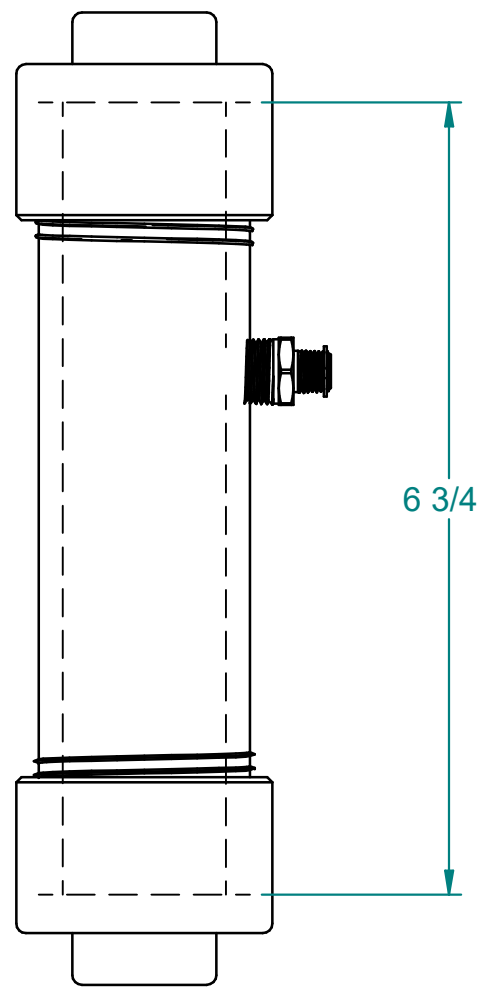
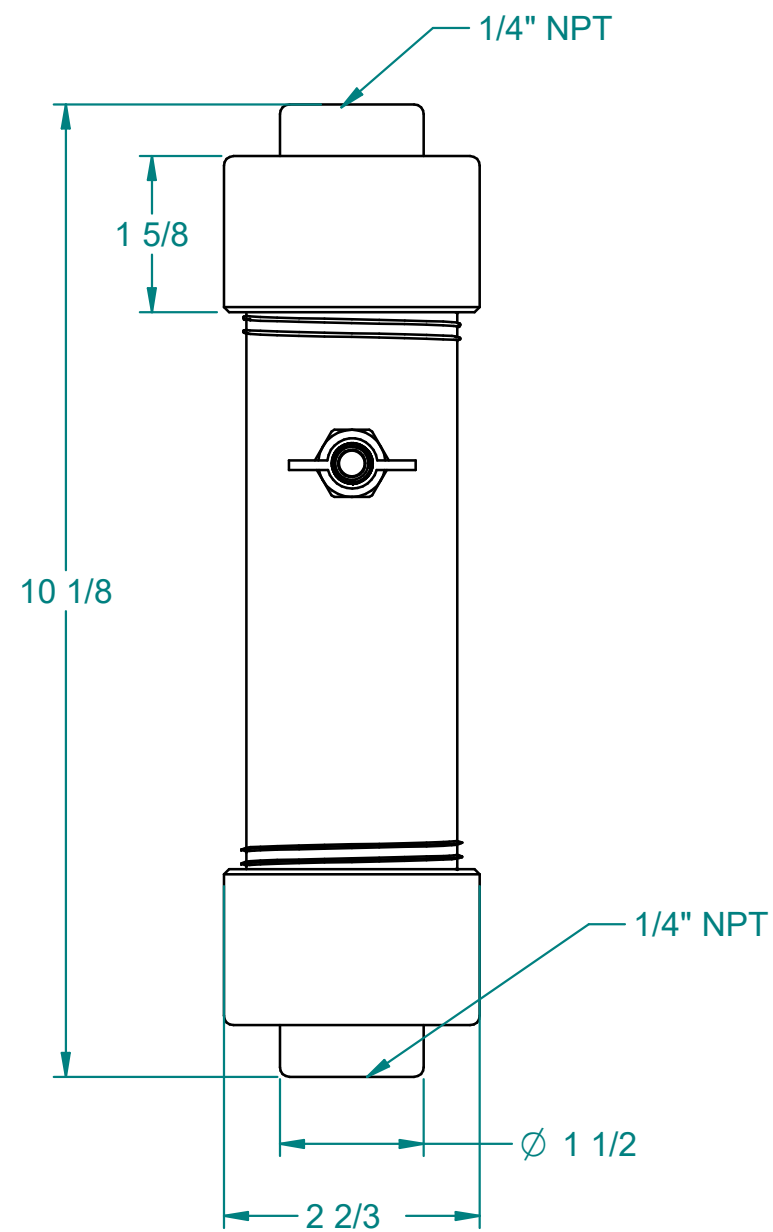
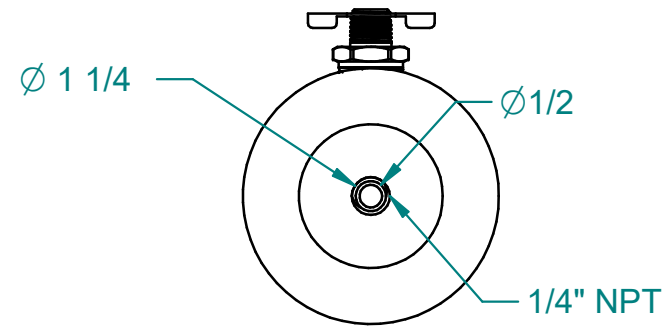
E

D

C

B

A



E

D

C

B

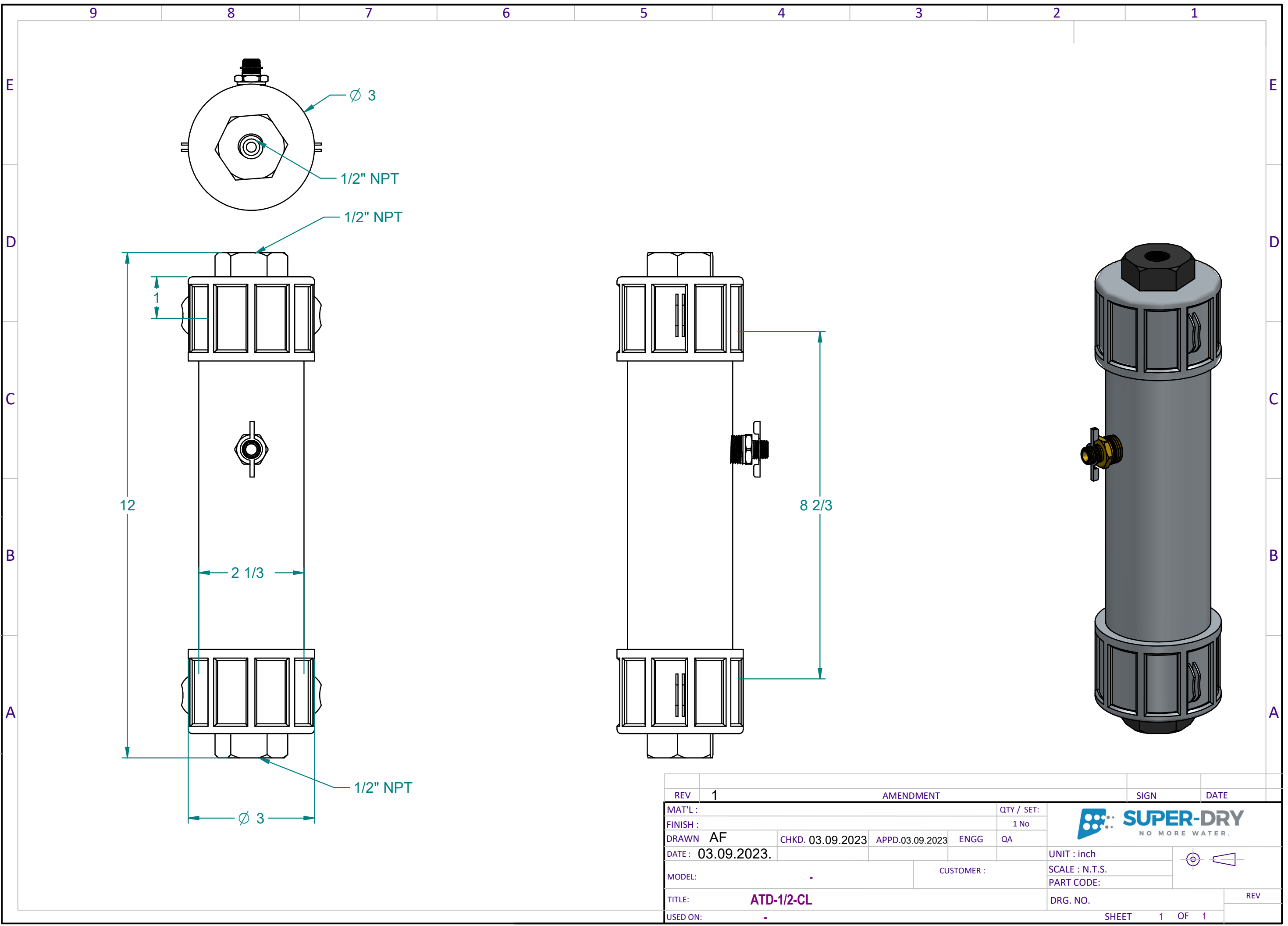
A

REV	1	AMENDMENT				SIGN	DATE
MAT'L:		QTY / SET:					
FINISH:		1 No					
DRAWN	AF	CHKD. 03.09.2023	APPD.03.09.2023	ENGG	QA	UNIT : inch	
DATE:	03.09.2023.	CUSTOMER :			SCALE : N.T.S.		
MODEL:	-	DRG. NO.			REV		
TITLE:	ATD 1-2				DRG. NO.		
USED ON:	-				SHEET	1 OF 1	

FILE PATH :-

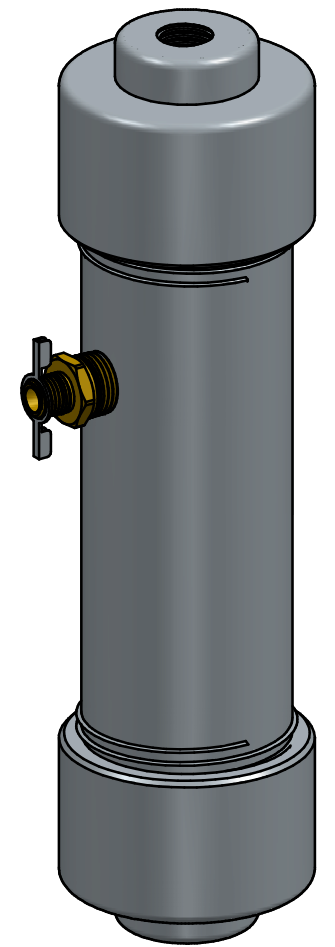
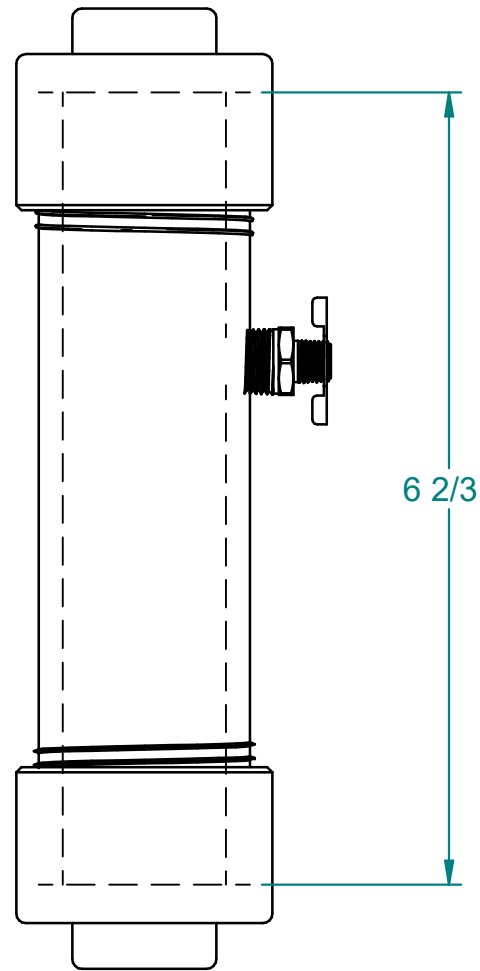
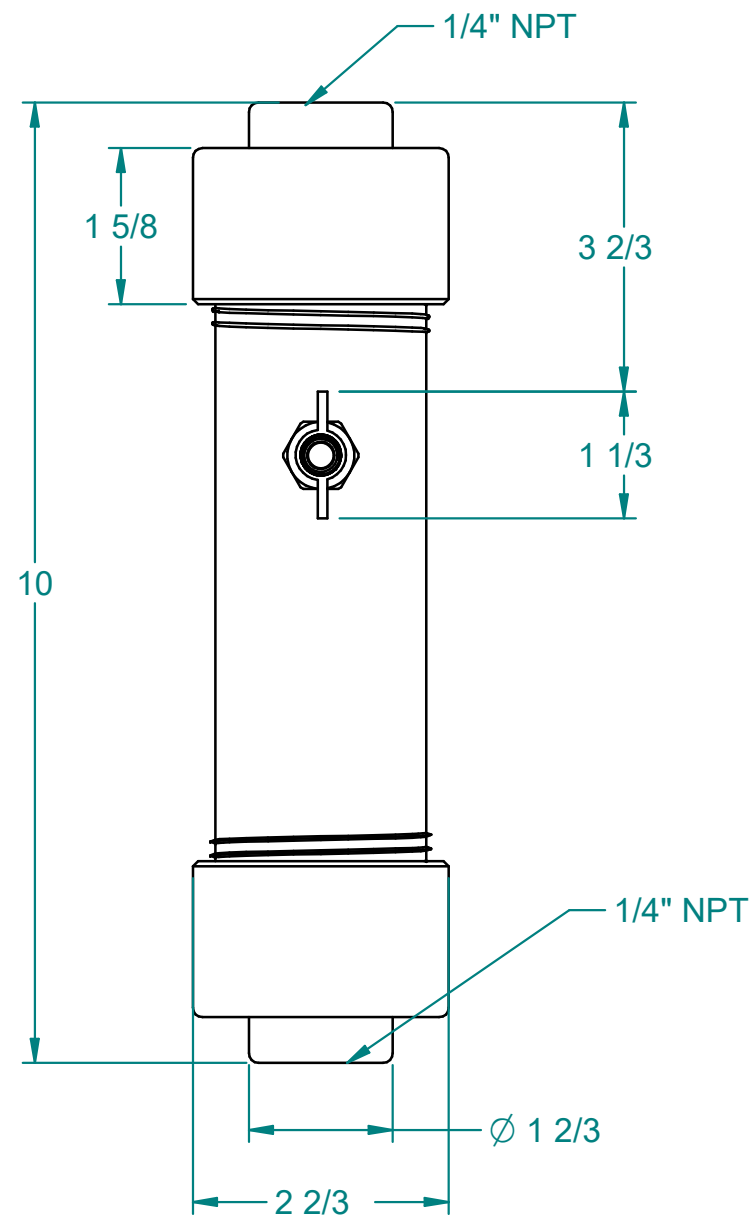
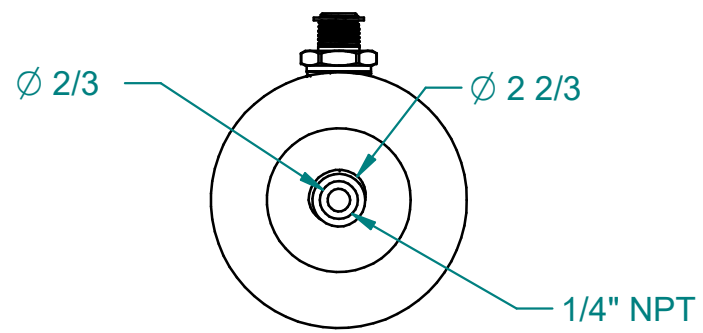
THIS DOCUMENT IS THE PROPERTY OF DESIGN PRODUCT REPRODUCTION OR USE WITHOUT PRIOR PERMISSION IS PROHIBITED

PDF.No. \_\_\_\_\_ DATED : \_\_\_\_\_



REV	1	AMENDMENT			SIGN	DATE
MAT'L :		QTY / SET:				
FINISH :		1 No				
DRAWN	AF	CHKD. 03.09.2023	APPD.03.09.2023	ENGG	QA	UNIT : inch SCALE : N.T.S. PART CODE:
DATE :	03.09.2023.	CUSTOMER :				
MODEL :	-	TITLE :			DRG. NO.	REV
USED ON :	-	ATD-1/2-CL			SHEET	1 OF 1

FILE PATH :-



THIS DOCUMENT IS THE PROPERTY OF DESIGN PRODUCT REPRODUCTION OR USE WITHOUT PRIOR PERMISSION IS PROHIBITED

DATED :

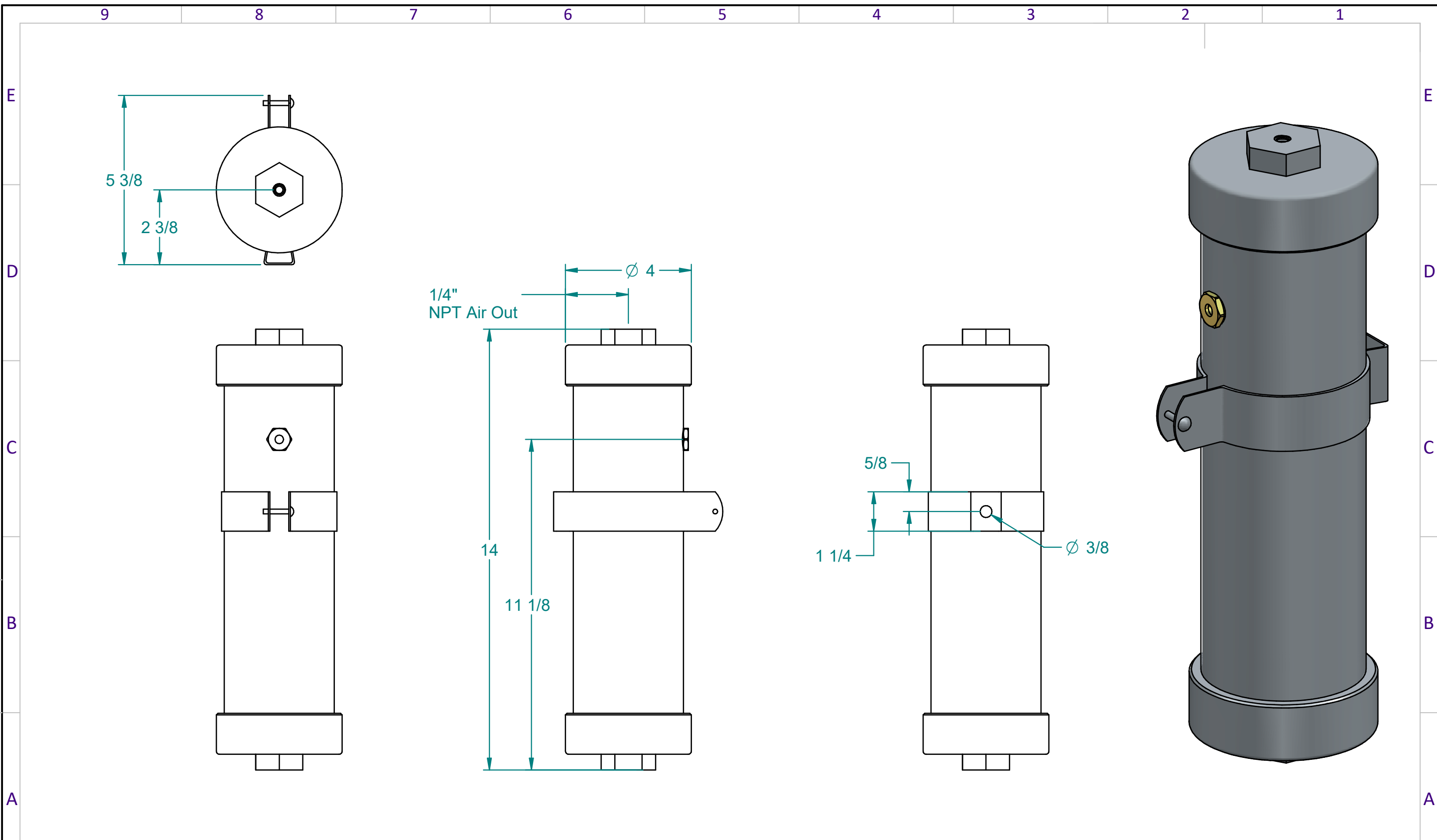
PDF.No.

REV	1	AMENDMENT			SIGN	DATE
MAT'L :		QTY / SET:				
FINISH :		1 No				
DRAWN	AF	CHKD. 03.09.2023	APPD.03.09.2023	ENGG	QA	
DATE :	03.09.2023.	CUSTOMER :			UNIT : inch	
MODEL :	-	SCALE : N.T.S.			PART CODE:	
TITLE :	ATD 1-4			DRG. NO.	REV	
USED ON :	-			SHEET 1 OF 1		

FILE PATH :-

THIS DOCUMENT IS THE PROPERTY  
OF DESIGN PRODUCT  
REPRODUCTION OR USE WITHOUT  
PRIOR PERMISSION IS PROHIBITED

PDF.No. \_\_\_\_\_ DATED : \_\_\_\_\_



REV	1	AMENDMENT			SIGN	DATE
MAT'L :		QTY / SET:				
FINISH :		1 No				
DRAWN	AF	CHKD. 03.09.2023	APPD.03.09.2023	ENGG	QA	
DATE :	03.09.2023.	CUSTOMER :			UNIT : inch	
MODEL :	-	DRG. NO.			SCALE : N.T.S.	
TITLE :	ATD XL			PART CODE:		REV
USED ON :	-			SHEET 1 OF 1		

FILE PATH :-