

THIS DOCUMENT IS THE PROPERTY OF DESIGN PRODUCT REPRODUCTION OR USE WITHOUT PRIOR PERMISSION IS PROHIBITED

DATED :

PDF.No.

9 8 7 6 5 4 3 2 1

E

D

C

B

A

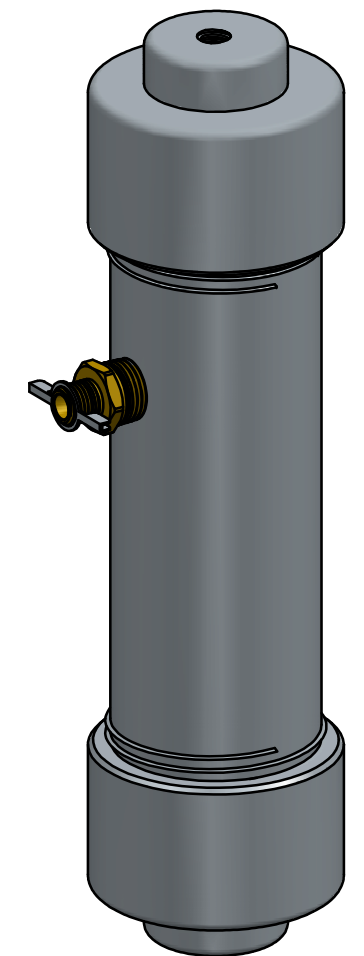
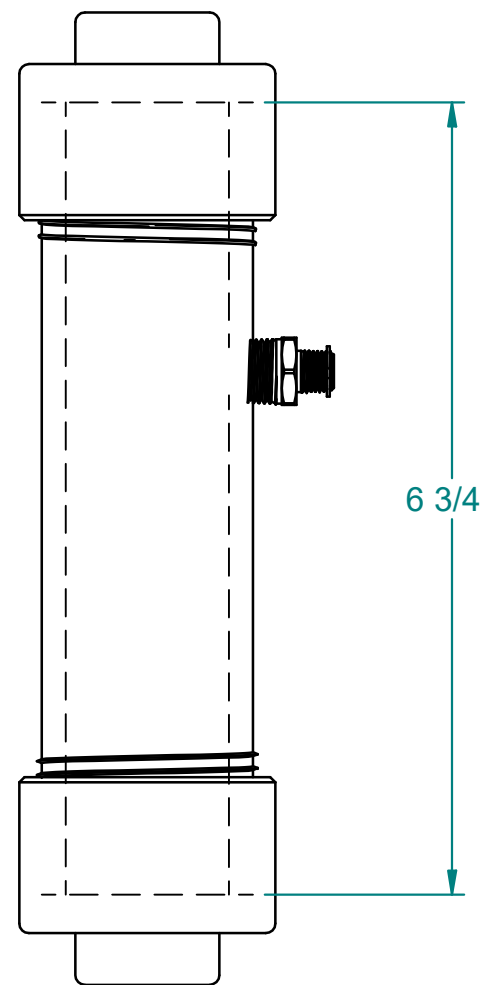
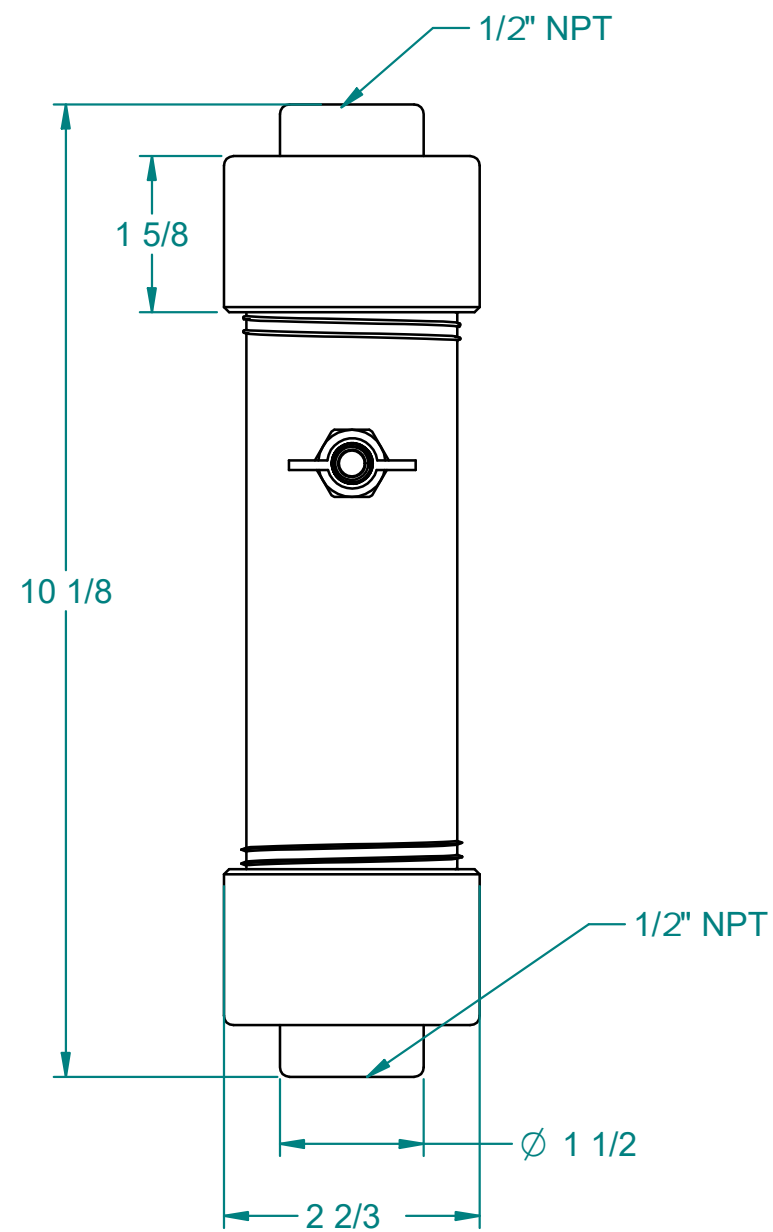
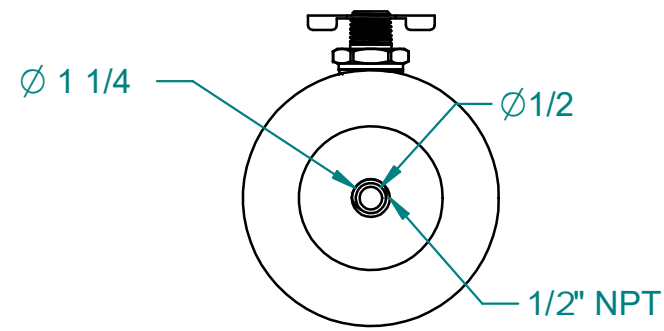
E

D

C

B

A



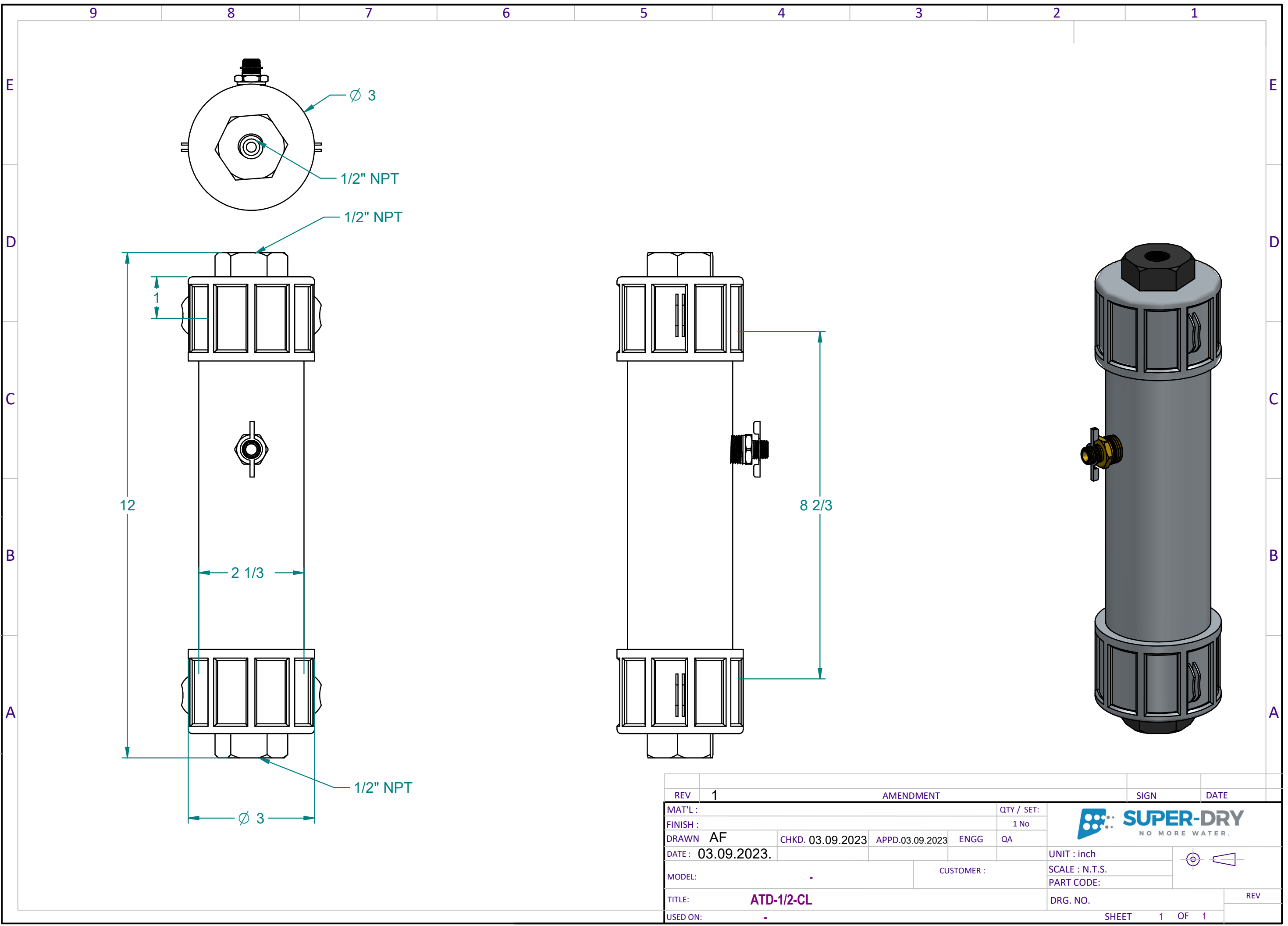
REV	1	AMENDMENT				SIGN	DATE
MAT'L :					QTY / SET:		
FINISH :					1 No		
DRAWN	AF	CHKD. 03.09.2023	APPD.03.09.2023	ENGG	QA		
DATE :	03.09.2023.					UNIT : inch	
MODEL :	-				CUSTOMER :	SCALE : N.T.S.	
TITLE :	ATD 1-2					PART CODE:	
USED ON :	-					DRG. NO.	
						SHEET 1 OF 1	
						REV	



FILE PATH :-

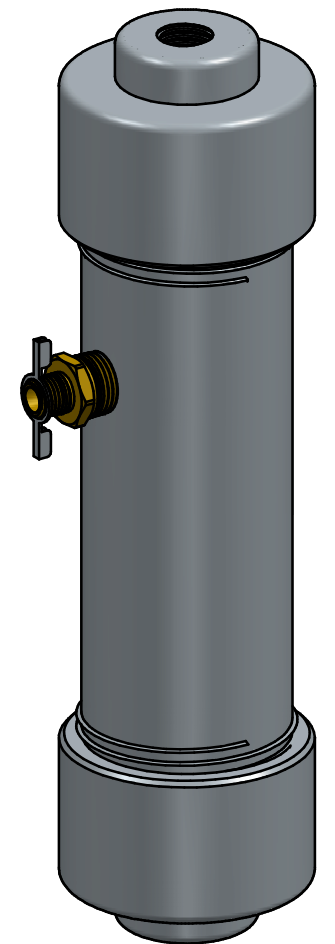
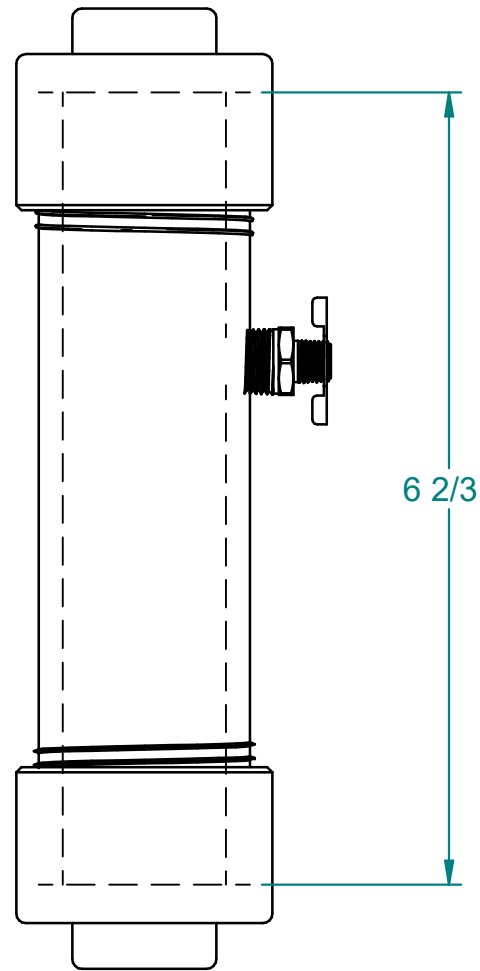
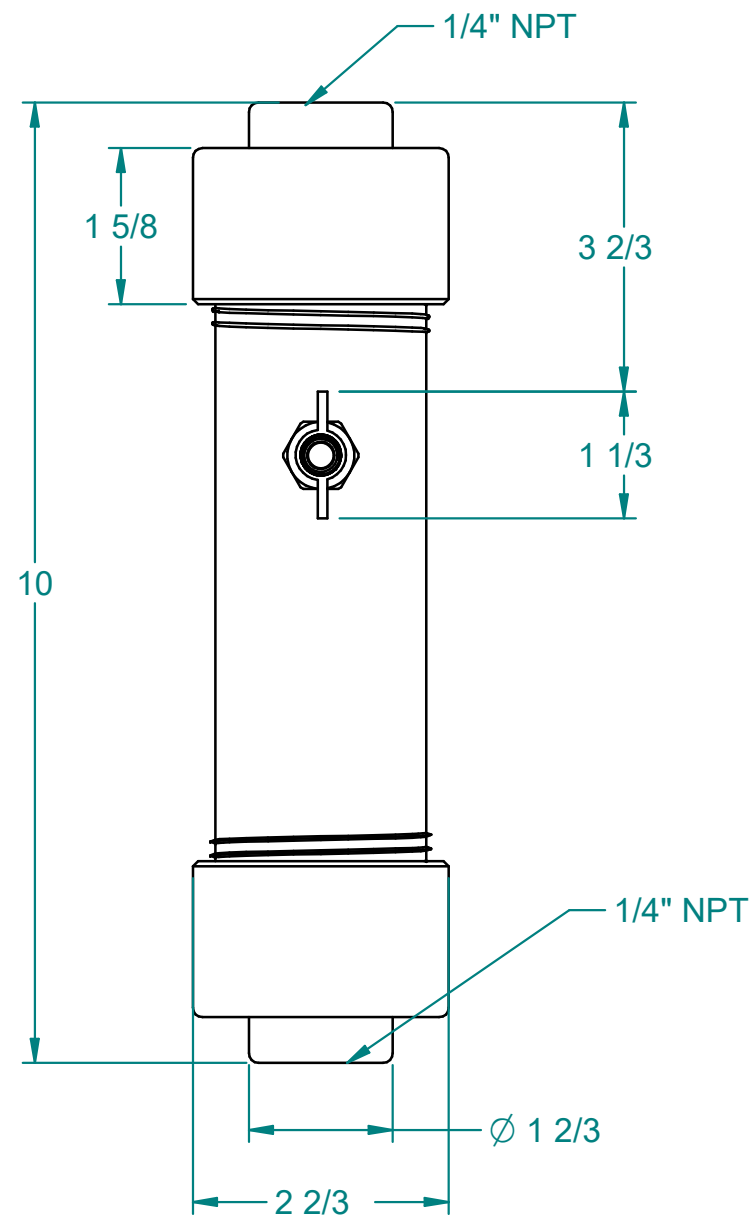
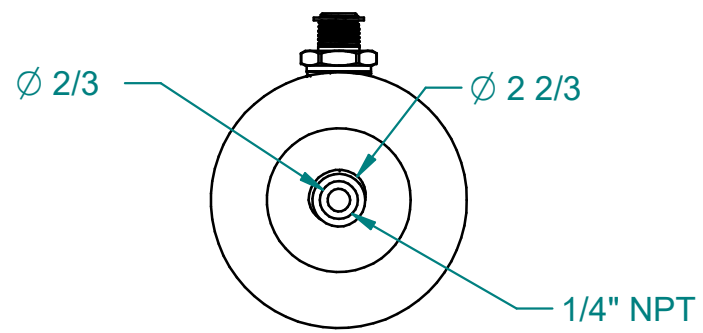
THIS DOCUMENT IS THE PROPERTY OF DESIGN PRODUCT REPRODUCTION OR USE WITHOUT PRIOR PERMISSION IS PROHIBITED

PDF.No. _____ DATED : _____



REV	1	AMENDMENT			SIGN	DATE
MAT'L :		QTY / SET:				
FINISH :		1 No				
DRAWN	AF	CHKD. 03.09.2023	APPD.03.09.2023	ENGG	QA	UNIT : inch SCALE : N.T.S. PART CODE:
DATE :	03.09.2023.	CUSTOMER :				
MODEL :	-	TITLE :			DRG. NO.	REV
USED ON :	-	ATD-1/2-CL			SHEET	1 OF 1

FILE PATH :-



THIS DOCUMENT IS THE PROPERTY
 OF DESIGN PRODUCT
 REPRODUCTION OR USE WITHOUT
 PRIOR PERMISSION IS PROHIBITED

DATED :

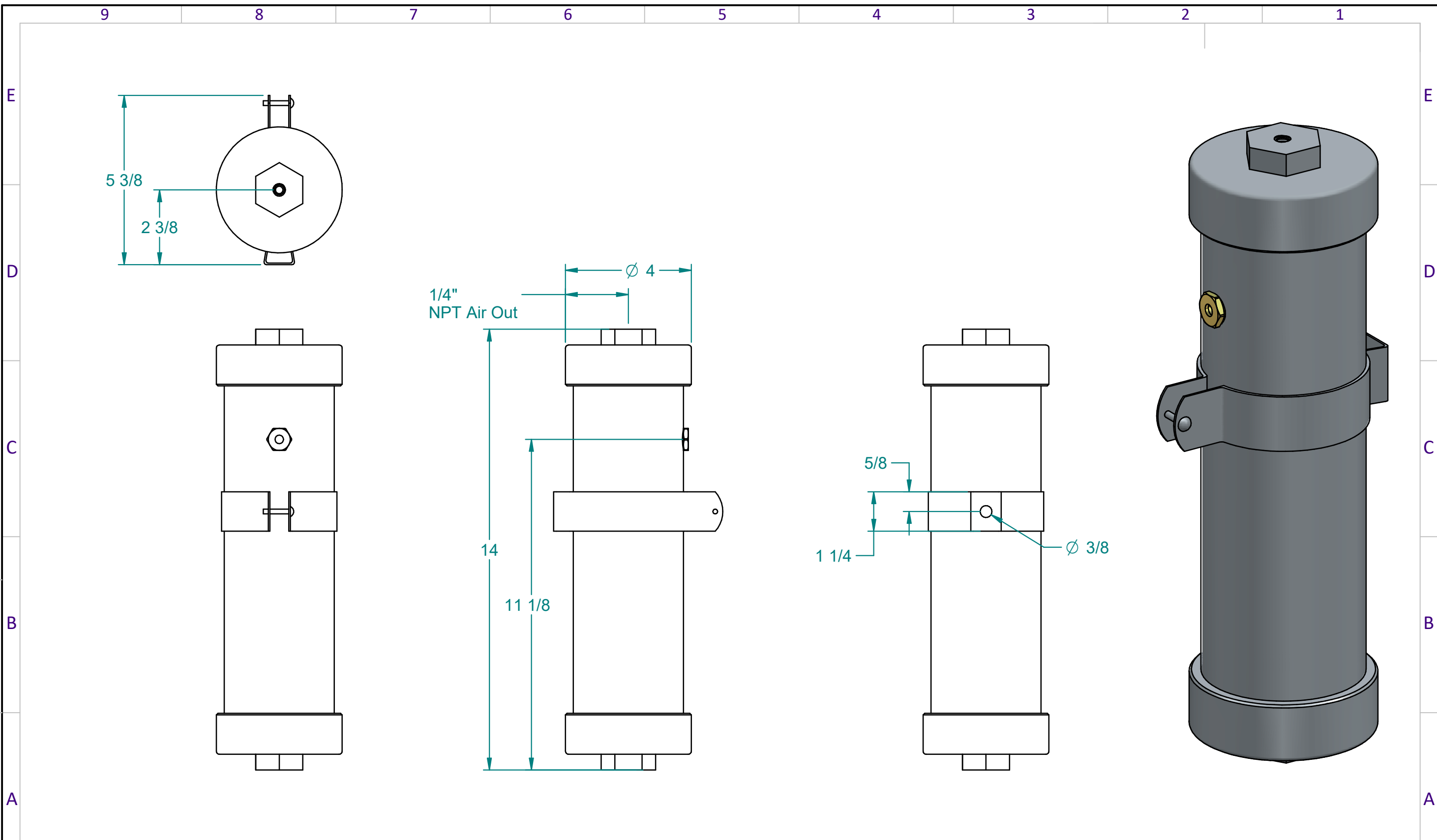
PDF.No.

REV	1	AMENDMENT			SIGN	DATE
MAT'L :		QTY / SET:				
FINISH :		1 No				
DRAWN	AF	CHKD. 03.09.2023	APPD.03.09.2023	ENGG	QA	UNIT : inch SCALE : N.T.S. PART CODE:
DATE :	03.09.2023.	CUSTOMER :				
MODEL :	-	TITLE:			DRG. NO.	REV
USED ON :	-	ATD 1-4			SHEET	1 OF 1

FILE PATH :-

THIS DOCUMENT IS THE PROPERTY OF DESIGN PRODUCT REPRODUCTION OR USE WITHOUT PRIOR PERMISSION IS PROHIBITED

PDF.No. _____ DATED : _____



REV	1	AMENDMENT			SIGN	DATE
MAT'L :		QTY / SET:				
FINISH :		1 No				
DRAWN	AF	CHKD. 03.09.2023	APPD.03.09.2023	ENGG	QA	
DATE :	03.09.2023.	CUSTOMER :			UNIT : inch	
MODEL :	-	DRG. NO.			SCALE : N.T.S.	REV
TITLE :	ATD XL	SHEET 1 OF 1			PART CODE:	
USED ON :	-	DRG. NO.			SHEET 1 OF 1	

FILE PATH :-